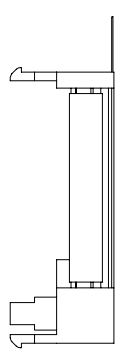
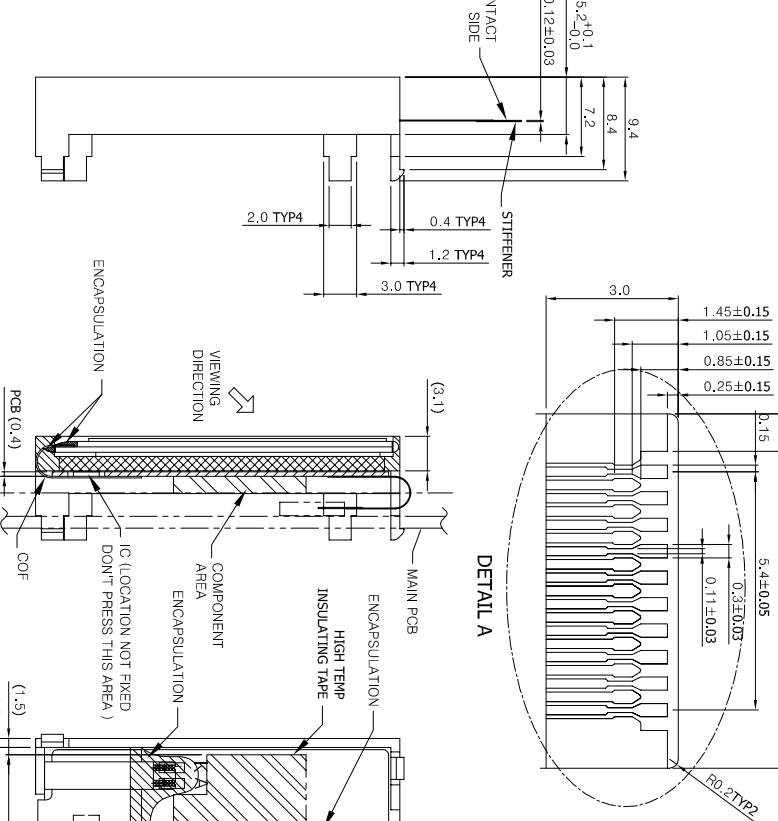
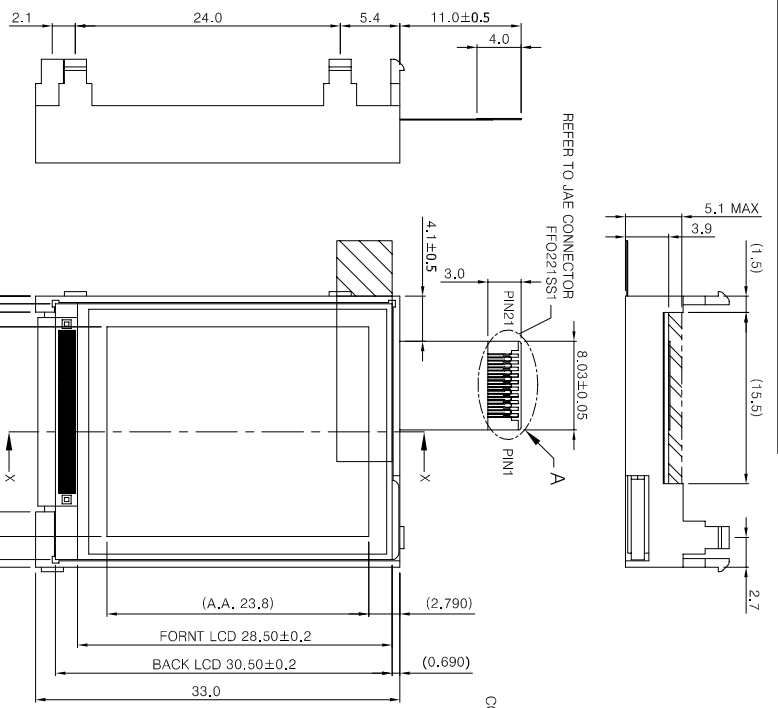


THE DRAWING ON THIS PRINT AND INFORMATION THEREWITH ARE PROPRIETARY TO VARRITRONIX AND SHALL NOT BE USED IN WHOLE OR IN PART WITHOUT WRITTEN PERMISSION OF VARRITRONIX



PIN ASSIGNMENT:

1	2	3	4	5	6	7	8	9
VCC1	CS	WR	RD	GND	D0	D1	D2	D3
10	11	12	13	14	15	16	17	18
D4	D5	D6	D7	D8	RST	RS	LED-	HOSTI
19	20	21						
LED+	NC	NC						

DISPLAY TYPE	65K 1.2" TRANSLECTIVE LTPS
DISPLAY RESOLUTION	128 x RGB x 160 DOTS
VIEWING ANGLE	6 O'CLOCK
MUX RATIO AND BIAS LEVEL	1/128 DUTY
LCD CONTROLLER/DRIVER	COC0
LOGIC VOLTAGE	2.7V
LCD DRIVING VOLTAGE	N/A
OPERATING TEMPERATURE	-20°C TO +70°C
STORAGE TEMPERATURE	-30°C TO +80°C
BACKLIGHT	LED02 COLOR WHITE DRIVING VOLTAGE 3.3V LUMINANCE (cd/m2) MIN:2500 (ON THE BACKLIGHT SURFACE) TYP:- MAX:-
REMARK	CUSTOMER CONSIGNS BACKLIGHT MODIFY FROM IZT2092

TITLE: SPECIFICATION OF MODULE	
PROJECT NO.: TLM-T120FTHA-01	
CUSTOMER REF:	
TOLERANCE UNLESS OTHERWISE SPECIFIED:	XX ±0.3 XXX ±0.1 ANGULAR: ±1°
MATERIAL: N/A	FINISH: N/A
SCALE: DO NOT ON SCALE	OVERALL THK: N/A
THIRD ANGLE PROJECTION	
DRAWN: HENRY HE	SIGN: DATE: 06.04.11
CHECKED: CHEN ICE	
APPROVED: CHAN ALFERED	
ITEM NO.: TLM-T120FTHA-01	
DESCRIPTION: TLM-T120FTHA	
FILE NO.: TLM-T120FTHA-01	
REV: 0	
SHEET 1	OF 1

NOTES:
1. SPECIAL CHARACTERISTIC
2. SAFETY CHARACTERISTIC
3. CRITICAL DIMENSION
4. (L) : REFERENCE DIMENSION



VARRITRONIX LIMITED